

INSTRUCTIONS

FOR INSTALLING AND OPERATING

MODELS

PT-25, PT-27 & PT-39

FOR STANDARD BROADCAST RECEPTION

Models PT-25, PT-27 and PT-39 are five tube superheterodyne radios for operation on either alternating current (AC) or direct current (DC) supply. They cover a frequency range from 540 kilocycles to 1720 kilocycles (KC).

The scale is calibrated in kilocycles (less the final zero). Standard broadcast stations are listed in kilocycles in most station lists.

The power rating of these radios is marked on the name label on the cabinets. Make sure that this rating corresponds with the power furnished your home.

INSTALLATION

After unpacking the radio make sure all the tubes are in their correct sockets pressed firmly down. A label on the cabinet will show the relative location of the tubes.

A twenty foot indoor aerial wire is provided with the radio. Uncoil this wire and place it around the baseboard moulding or under the rug. For best reception in steel reinforced buildings, the Philco Utility Aerial, Part No. 40-6384 (obtainable from your Philco dealer) is recommended. This especially designed, highly efficient, aerial can be installed in a few minutes. A convenient flexible lead-in is provided for connection to the radio aerial.

NOTE: If your house current is DC and no sound is heard after the tubes are sufficiently heated, reverse the electric plug in the outlet. The same procedure is advised if your power supply is AC and a slight hum is observed with the volume turned low.

OPERATION

Turn the "On-Off Switch and Volume Control" (left hand knob) to the right (clockwise) about half its range. This supplies power to the radio and illuminates the dial.

Now select the desired station by rotating the "Station Selector" (right hand knob).

For best tone, tune the desired station with the volume turned low. This enables you to get the exact point where the station comes in best. Then adjust the volume to the desired level with the volume control.

Some Police Radio Stations may be tuned in above 1600 kilocycles.

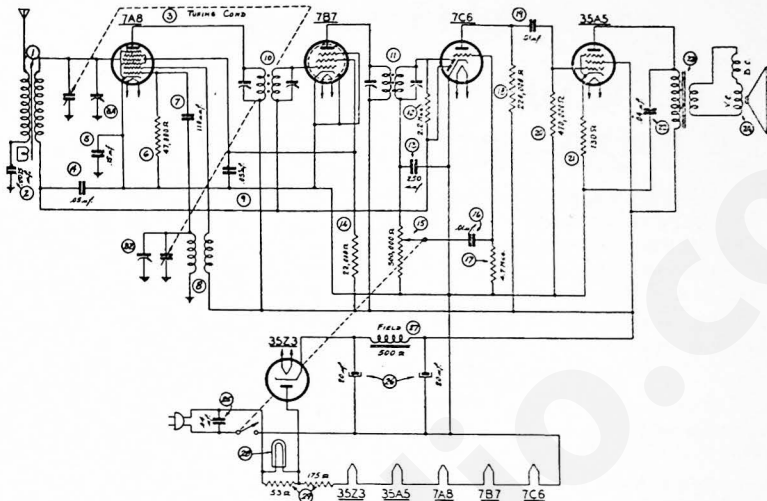
SERVICE

For the convenience of all radio owners, Philco has developed a plan for prompt, efficient radio service in every locality. This plan is known as "Radio Manufacturers Service." There is a member in your neighborhood — his shop or store can be identified by the emblem shown here. To make sure of guaranteed work, genuine Philco tubes and parts, and standard prices — call a member of "Radio Manufacturers Service."



Look for this Emblem in your Neighborhood

INSTRUCTIONS FOR INSTALLING AND OPERATING MODELS PT-25, PT-27 & PT-39



REPLACEMENT PARTS
PHILCO TRANSITONE HOME RADIO MODELS PT-25, PT-27 AND PT-39

| Schem. No. | Description | Philco Part No. | Schem. No. | Description | Philco Part No. |
|------------|---------------------------------------|-----------------|------------|--|-----------------------------|
| 1 | Antenna Transformer | 32-3151 | 16 | Tubular Condenser (.01 mf., 200 V.) | 30-44798 |
| 2 | Tubular Condenser (.0015 mf., 200 V.) | 30-45558 | 17 | Resistor (4.7 meg., 1/4 watt) | 33-547154 |
| 3 | Tuning Condenser | 31-2427 | 18 | Resistor (220,000 ohms, 1/4 watt) | 33-422154 |
| 4 | Tubular Condenser (.05 mf., 200 V.) | 30-45198 | 19 | Tubular Condenser (.01 mf., 400 V.) | 30-45728 |
| 5 | Tubular Condenser (.15 mf., 400 V.) | 30-45058 | 20 | Resistor (470,000 ohms, 1/4 watt) | 33-447154 |
| 6 | Resistor (47,000 ohms, 1/4 watt) | 33-347154 | 21 | Resistor (130 ohms, 1/2 watt) | 33-113356 |
| 7 | Mica Condenser (110 mmf.) | 30-1130 | 22 | Tubular Condenser (.04 mf., 400 V.) | 30-41198 |
| 8 | Oscillator Transformer | 32-3152 | 23 | Output Transformer | Part of Speaker No. 36-1469 |
| 9 | Tubular Condenser (.05 mf., 200 V.) | 30-45198 | 24 | Speaker | 36-1469 |
| 10 | 1st I. F. Transformer | 32-3149 | 25 | Tubular Condenser (.04 mf., 400 V.) | 30-41198 |
| 11 | 2nd I. F. Transformer | 32-3150 | 26 | Electrolytic Condenser (20-20 mf., 150 V.) | 30-2332 |
| 12 | Resistor (2.2 meg., 1/4 watt) | 33-522154 | 27 | Field Coil | Part of Speaker No. 36-1469 |
| 13 | Mica Condenser (250 mmf.) | 61-0033 | 28 | Pilot Lamp | 34-2068 |
| 14 | Resistor (22,000 ohms, 1/2 watt) | 33-322334 | 29 | Line Resistor | 33-3357 |
| 15 | Volume Control (500,000 ohms) | 33-3306 | | | |

WARRANTY

"We warrant each new Philco Transitone Radio Receiver and Speaker to be free from defects in material and workmanship under normal use and service, our obligation under this warranty being limited to making good at our depot any part or parts thereof which shall, within ninety (90) days after delivery of such Receiver to the original retail purchaser, be returned to our depot with transportation charges prepaid, and which our examination shall disclose to our satisfaction to have been thus defective; this warranty being expressly in lieu of all other warranties expressed or implied, and of all other obligations or liabilities on our part, and we neither assume nor authorize any representative or other person to assume for us any other liability in connection with the sale of Receivers or Speakers. This warranty shall not apply to any Receiver or Speaker which shall have been repaired or altered other than by us in any way so as, in our judgment, to affect its stability or reliability, nor which has been subject to misuse, negligence, or accident, nor which has had the serial number altered, effaced or removed. Neither shall this warranty apply to any Receiver or Speaker which has been connected otherwise than in accordance with the instructions furnished by us."